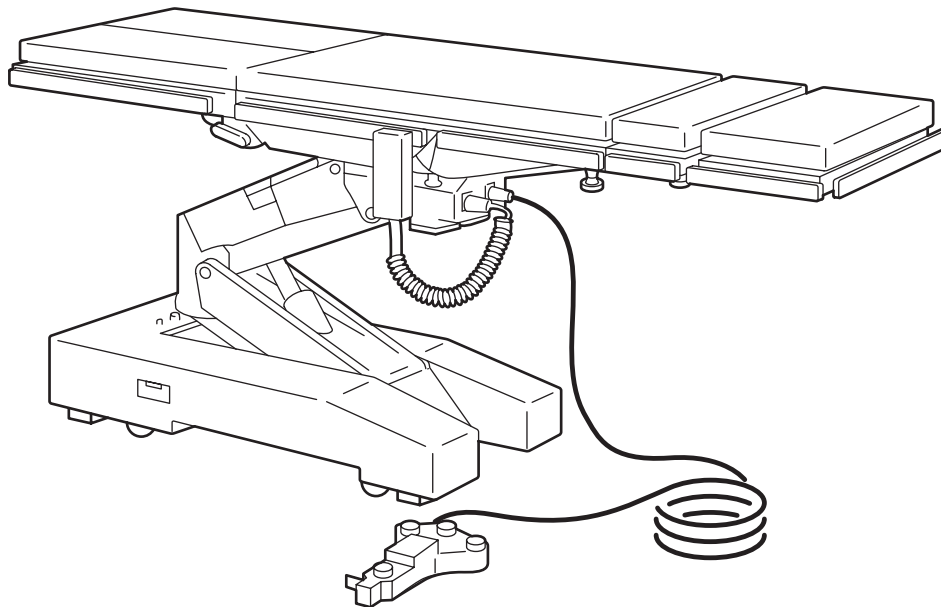





SURGICAL TABLE OPERATORS MANUAL



MST-7201B

U

 The operator and the person in charge of the maintenance of this operating table **MUST** read this Operating Table Instruction Manual carefully and understand the contents before operating, inspecting, adjusting, or servicing the table. Keep this Manual where it is readily accessible for reference by those concerned in case of need.

Introduction	1
Introduction	2
Long-term Position of a Patient	3
Medical Electronic Equipment Used in Combination	3
Accessories from Other Companies Used in Combination	3
Installation of Surgical Table	3
Handling of Power Cord	3
Working Part in Operation	3
Head Section and Leg Section	3
Inhibition of Adaptation	4
Use with Other Equipment	4
Static Protection	4
Handling of Pendant Control	5
Head Section and Leg Section	5
Transportation	5
Disposal	5
Product Labels	6
Structure	9
Main Unit	10
Power Switch	10
Control Unit	11
Foot Control Unit	12
Operation	13
How to Turn On/Off the Power	14
How to Turn On/Off the Battery Power	15
How to Charge the Battery	16
Control Unit	17
Surgical Table Fix	18
Brake Unlock	18
High/Low Speed Selection	18
Trendelenburg	19
Lateral Tilt	19
Back Section Reclining	20
Elevation	20
Return to Level	21
Foot Control Unit	22
Trendelenburg	22
Lateral Tilt Positioning	22
Return	22
Restrictions on Operation	23
Auxiliary Switches	24

Head Section/Auxiliary Back Section	25
Reclining (Head Section)	25
Detaching (Head Section/Auxiliary Back Section)	25
Mounting (Head Section/Auxiliary Back Section)	25
Leg Section	26
Reclining	26
Development	26
Detaching/Mounting	26
Principles of Operation	27
Inspection Before/After Use	28
Cleaning/Disinfection Procedure	29
Routine Maintenance	30
Before Requesting Repairs	31
Non-Fault Cases	31
Action Upon Fault	31
Specifications	33
Specifications	34
Drawing	35







Introduction

Introduction

This document is the Instruction Manual intended for safe and effective use of this table. Read this document and adequately understand the procedures for operation/inspection/adjustment/repairs before using this table.

Failure to observe this document could lead to a serious accident.

Safety information is classified as follows in order for readers to understand warnings and cautions described herein or affixed to this table.

 WARNING	A WARNING notice indicates a situation which can result in death or serious injury to a person if the notice is ignored and the table is handled improperly.
 CAUTION	A CAUTION notice indicates a situation which can result in injury to a person and/or damage to property if the notice is ignored and the table is handled improperly.
	This indication corresponds to INHIBITION (what you must not do).
	This indication corresponds to ENFORCEMENT (what you must do).
SUPPLEMENT	This indication corresponds to supplementary information on the functions of the product.

This product is a table on which a patient to need an operation is carried and operated.








The device of purpose should be equipped with the mechanism in which the patient who needs an operation is held.

The power supply is used both methods which are AC power supply and battery.

Cautions on operation, inspection, adjustment or repairs contained herein relate to use of this table for the purpose of surgery.

Safety of use of this table except for the purpose of surgery or operation, inspection, adjustment or repairs not described herein is exclusively under the responsibility of the user.

WARNING

	<p>Long-term Position of a Patient</p> <ul style="list-style-type: none"> ● When the table top is supported in the reclining state or with accessories in order to secure an arbitrary position of a patient, the state of the patient must be continuously monitored. Such a long-term position may lead to neuroparalysis.
	<p>Medical Electronic Equipment Used in Combination</p> <ul style="list-style-type: none"> ● Check for malfunction due to possible electromagnetic effects attributable to other medical equipment used in combination with this table. ● Consult manufacturer's instructions when using high frequency surgical equipment, cardiac defibrillator and cardiac defibrillator monitors. Misoperation might cause an electric shock or a malfunction. And the intended function of this product might not be acquired.
	<p>Accessories from Other Companies Used in Combination</p> <ul style="list-style-type: none"> ● When this table is used in combination of accessories from other companies, consult your dealer or MIZUHO. Size of the side rails or insertion holes may be different thus making it impossible to fix the accessories.
	<p>Installation of Surgical Table</p> <ul style="list-style-type: none"> ● Avoid using the procedures below in the installation of the table. Turnover of the surgical table may lead to severe injury or death of a patient. <ol style="list-style-type: none"> 1. Installing the table on an uneven floor surface. 2. Placing an insert below the base to elevate the table.
	<p>Handling of Power Cord</p> <ul style="list-style-type: none"> ● DO NOT place a heavy object on the power cord or place a caster of other equipment on the power cord. The power cord could be damaged causing a fire accident or electric shock hazard.
	<p>Working Part in Operation</p> <ul style="list-style-type: none"> ● DO NOT insert you hand in the gap of the next working part. You could get your hand or fingers caught and get injured. <ul style="list-style-type: none"> • Gap between Back Section and Seat Section in Reclining Operation • Rear of the Frame in Sliding Operation
	<p>Head Section and Leg Section</p> <ul style="list-style-type: none"> ● DO NOT step on or sit on the head section or leg section. The table may turn over or a plate may drop.

WARNING



Inhibition of Adaptation

- DO NOT make adaptations on or disassemble the table. Such action will cause malfunction. Damage to wiring of the control equipment will cause a shock hazard or fire accident.



Use with Other Equipment

- Before using the table with other equipment, read through the Instruction Manual attached to the equipment and check for any influence on the table. Observe the cautions therein and properly use the equipment.



Static Protection

- Observe the following to avoid troubles due to static electricity:
 - ◆ Use on an antistatic floor.
 - ◆ Check that the mattress from another company is antistatic.

⚠ CAUTION



Handling of Pendant Control

- DO NOT forcibly pull the cord of the Pendant Control or Foot Switch. Damage to the Pendant Control or Foot Switch may turn the table nonoperational.



Head Section and Leg Section

- When moving a patient from a bed (Fig. a) or changing the position of a patient (Fig. b), avoid exerting an excessive force to the head section or leg section. The section could be deformed or damaged.

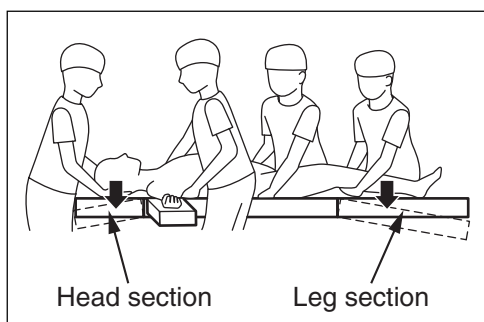


Fig. a Moving a patient from a bed

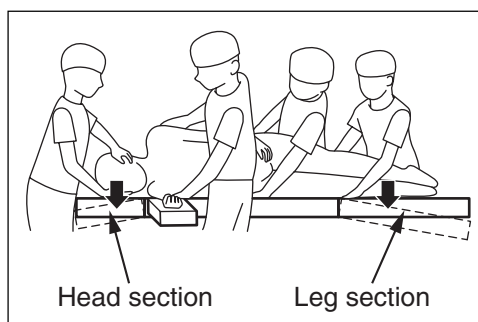


Fig. b Changing the position of a patient



Transportation

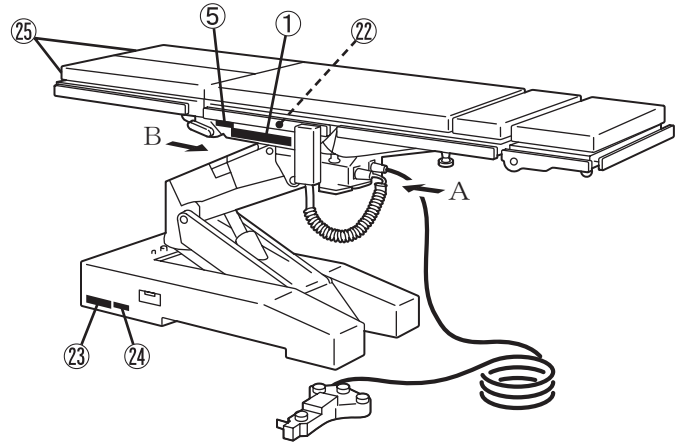
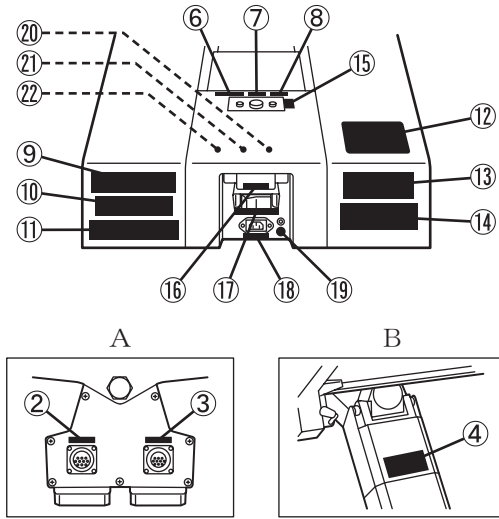
- Observe the following before transportation:
 1. Remove the power cord.
 2. Turn off the power switch.
 3. Tighten fixing handles.
- Transport the surgical table under the following conditions:
 1. Transport the surgical table while housed in a container to avoid contact with external air.
 2. Transport the surgical table under braking.
 3. Take measures to prevent impact or turnover during transportation.



Disposal

- When disposing of the table, take action in accordance with the related regulations or municipal by-laws.

Product Labels



C657202B

① **MIZUHO**
Operating Table
MST-7201B

C657222A

② Hand Contr.

C657223A

③ Foot Contr.

C657252C

④ **MIZUHO** IPX4

MODEL	MST-7201B	115 V ~	60Hz	800VA
REF	18-300-70	SN	MJC-20141-XXXX	3 min on, 30 min off

MIZUHO Corporation
3-30-13 Hongo, Bunkyo-ku, Tokyo 113-0033, Japan <http://www.mizuho.co.jp>

C653624B

⑤ **WARNING** **MISE EN GARDE**
A Patient shall be set up to more than 1cm apart from a side rail so that a patient does not touch on side rails.
Un malade sera mis loin du rail du côté plus que 1cm afin qu'un malade ne touche pas le rail du côté.

C657220A

⑥ CHARGING IS REQUIRED

C657219A

⑦ CHARGING

C657221A

⑧ POWER ON

C656738A

⑨ **DANGER** **DANGER**
POSSIBLE EXPLOSION HAZARD IF USED IN THE PRESENCE OF FLAMMABLE ANESTHETICS.
POSSIBILITE D'EXPLOSION EN CAS D'UTILISATION EN PRESENCE D'ANESTHESIQUES INFLAMMABLES.

C657236A

⑩ **DANGER** **DANGER**
DISCONNECT SUPPLY BEFORE SERVICING.
COUPER L'ALIMENTATION AVANT L'ENTRETIEN ET LE DEPANNAGE.

C657237A

⑪ **DANGER** **DANGER**
POWER STILL PRESENT WITH MAIN SWITCH IN OFF POSITION. LOCK OUT UPSTREAM SUPPLY BEFORE ENTERING FOR SERVICE.
L'ALIMENTATION EST TOUJOURS PRESENTE LORSQUE L'INTERRUPTEUR PRINCIPAL EST SUR LA POSITION OFF. VERROUILLER L'ALIMENTATION EN AMONT AVANT D'ENTRER POUR TOUTE INTERVENTION.

C657234B

⑫ Issued by: QPS Evaluation Services, Inc. www.qps.ca

F E	
Mod.No.	MST-7201B
Ser.No.	

■ Class I □ Class II □ Battery Operated
Type: ■ B □ BF □ CF
Electromedical Device - CSA 601 / UL 601

C656740A

⑬ **WARNING** **MISE EN GARDE**
TO REDUCE THE RISK OF ELECTRIC SHOCK, DO NOT REMOVE COVER OR BACK.
NE PAS RETIRER LE COUVERCLE OU LA FACE ARRIERE AFIN DE REDUIRE LE RISQUE D'ELECTROCUTION.
REFER SERVICING TO QUALIFIED SERVICE PERSONNEL.
REFER TO ACCOMPANYING DOCUMENTS.
CONFIER L'ENTRETIEN AU PERSONNEL DE SERVICE QUALIFIE.
SE REFERER AUX DOCUMENTS D'ACCOMPAGNEMENT.

C656741A

⑭ **NOTE** **REMARQUE**
GROUNDING RELIABILITY CAN ONLY BE ACHIEVED WHEN THE EQUIPMENT IS CONNECTED TO AN EQUIVALENT RECEPTACLE MARKED "HOSPITAL ONLY" OR "HOSPITAL GRADE".
LA FIABILITE DE MISE A LA TERRE NE PEUT ETRE OBTENUE QUE LORSQUE L'EQUIPEMENT EST CONNECTE A UNE PRISE EQUIVALENTE REPREEE "HOPITAL UNIQUEMENT" OU "QUALITE HOPITAL".

C653511A

⑮ TYPE B EQUIPMENT

C657251B

⑯ REPLACE FUSE with 30A / 250V Fast-Acting

C657227A

⑰ OFF POWER SWITCH ON

C657228A

⑱ POWER CORD

C653513A

⑲

C657229A

⑳ POSITIVE

C657230A

㉑ NEGATIVE

C653512A

㉒

C657232A












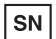
㉓ REPLACE BATTERIES WITH MIZUHO REPLACEMENT PART
No. E0002331 12V24Ah



C657231A

㉔ REPLACE FUSE 125V/10AMP

C657235A

㉕ **WARNING** **MISE EN GARDE**
DO NOT SIT ON THE LEG PLATE, OTHERWISE THE TABLE MAY FALL DOWN OR PLATE MAY COME DOWN, AND CAUSE A HURT.
NE PAS S'ASSOIR SUR L'APPUI-JAMBES, DANS LE CAS CONTRAIRE, LA TABLE PEUT BASCULER OU L'APPUI-JAMBES PEUT S'ABASSER ET PROVOQUER UNE BLESSURE.

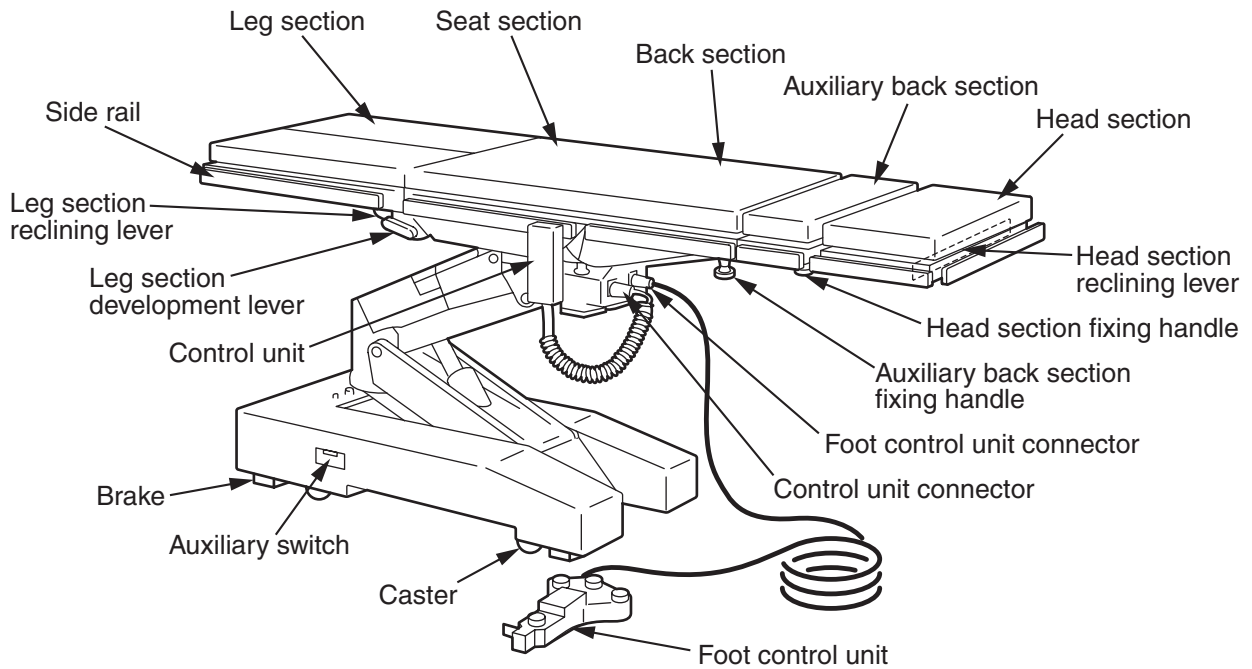
Symbol	Description	Used On Product	Used In Manual
 DANGER ISO 7010-W001	Indicates an imminently hazardous situation which, if not avoided, will result in death or serious injury.		<input type="radio"/>
 WARNING ISO 7010-W001	Indicates a potentially hazardous situation which, if not avoided, could result in death or serious injury.		<input type="radio"/>
 CAUTION ISO 7010-W001	Indicates a potentially hazardous situation which, if not avoided, may result in minor or moderate injury and damage to the equipment.		<input type="radio"/>
 ISO 7010-P001	General prohibition sign		<input type="radio"/>
 ISO 7010-M001	General mandatory action sign		<input type="radio"/>
 ISO 7010-M002	Refer to instruction manual	<input type="radio"/>	
 EN980-5.12	Manufacturer	<input type="radio"/>	<input type="radio"/>
 IEC 60417-5841	Defibrillation-proof Type B applied part	<input type="radio"/>	
IPX4 IEC 60529	Enclosure class (Splash-proof)	<input type="radio"/>	
 WEEE	Indicates waste disposal information	<input type="radio"/>	
 ISO 15223-3.15	Alternating current	<input type="radio"/>	
 ISO 15223-3.15	Catalogue number	<input type="radio"/>	
 ISO 15223-3.16	Serial number	<input type="radio"/>	

Symbol	Description	Used On Product	Used In Manual
 IEC 60417-5021	Equipotentiality	<input type="radio"/>	
 IEC 60417-5019	Protective earth (ground)	<input type="radio"/>	
NOTE	Indicates important facts or helpful hints		<input type="radio"/>

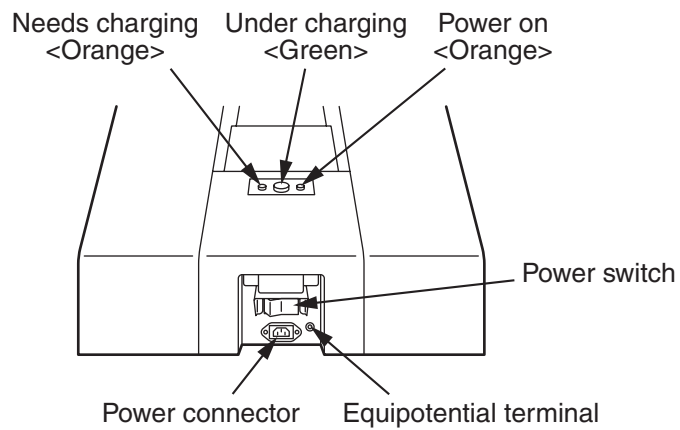


Structure

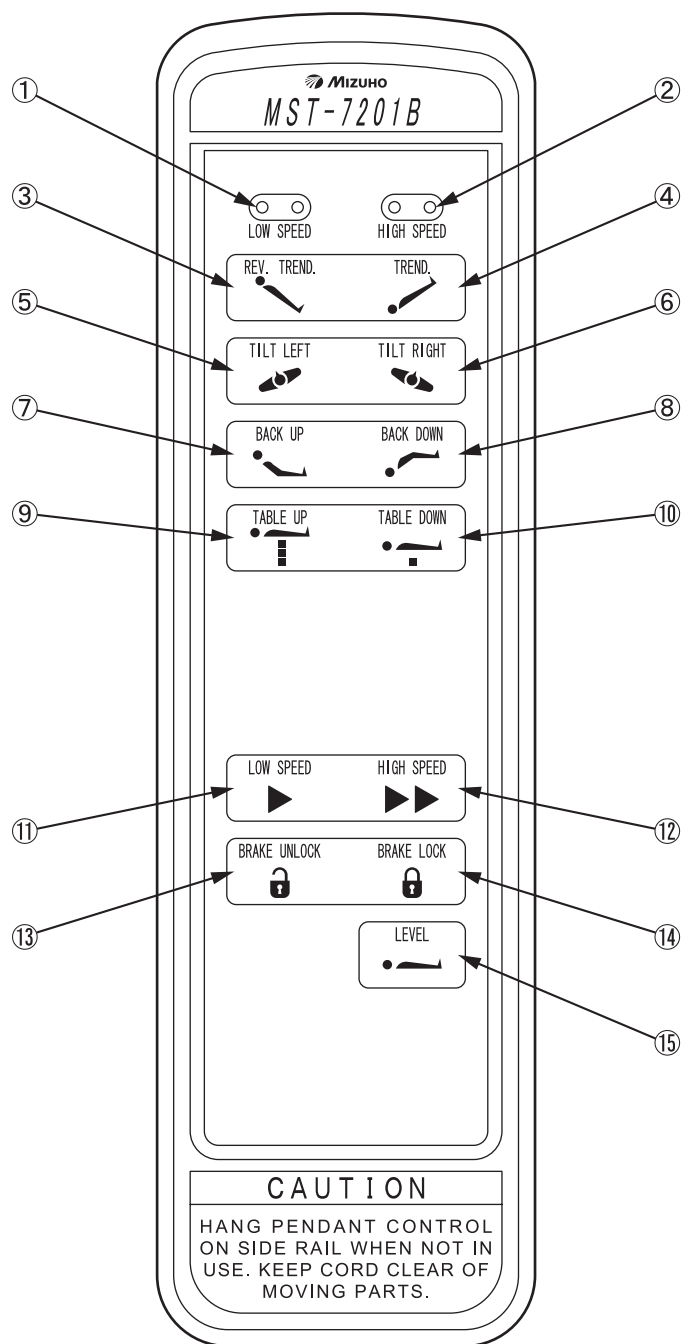
Main Unit



Power Switch

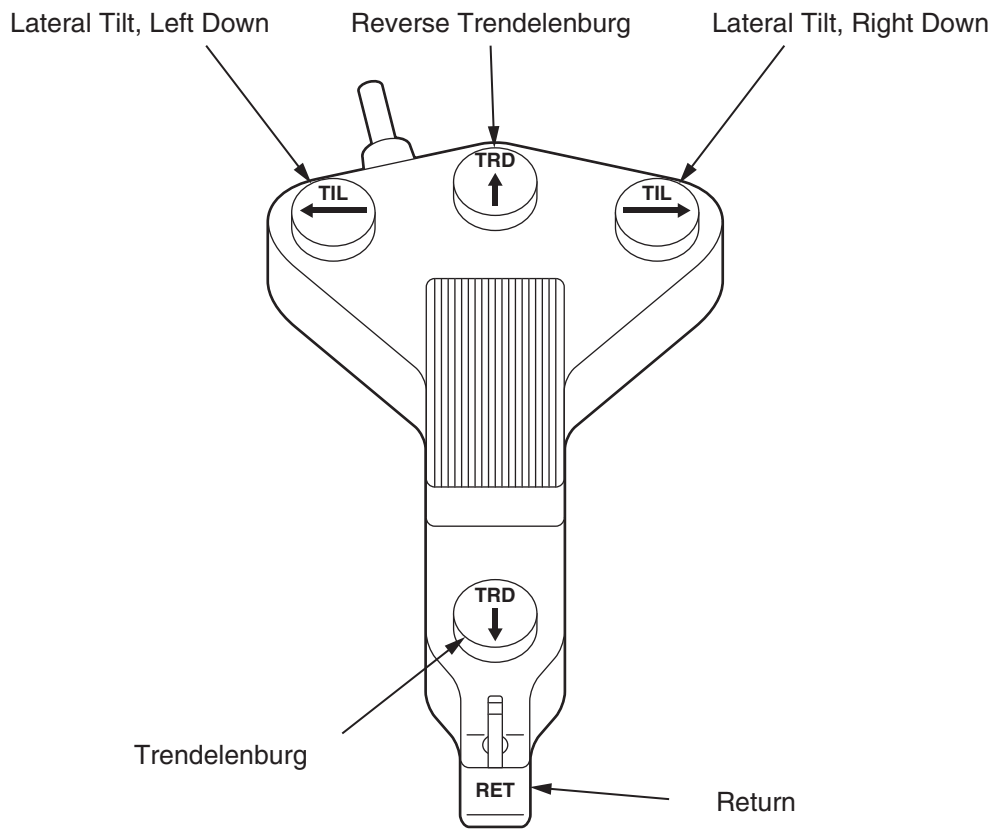


Control Unit



- Power lamp: Low speed <Green>
- Power lamp: High speed <Orange>
- Trendelenburg: Head up
- Trendelenburg: Head down
- Lateral tilt: Left down
- Lateral tilt: Right down
- Back section reclining: Up
- Back section reclining: Down
- Elevation: Up
- Elevation: Down
- Low speed selection
- High speed selection
- Brake unlock
- Surgical table fix
- Return to level

Foot Control Unit

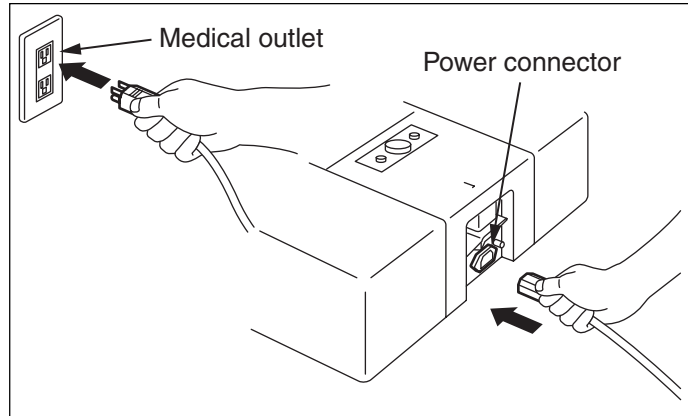




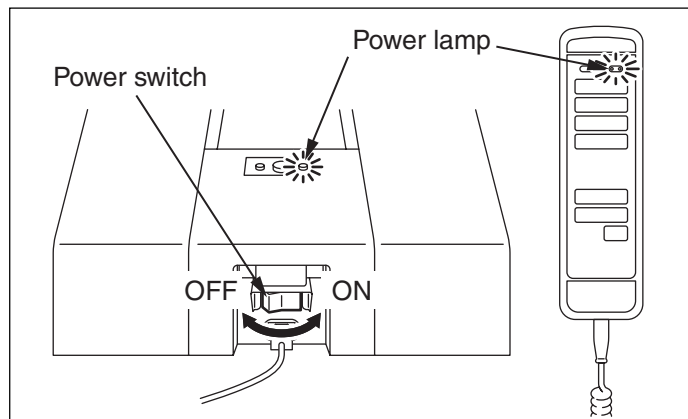
Operation

How to Turn On/Off the Power



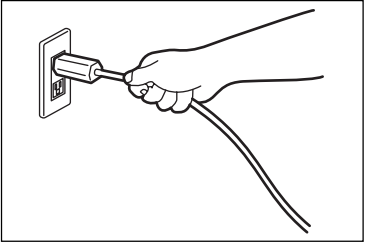
1. Insert the power cord to the power connector and the medical outlet.



2. Turn on the power switch of the surgical table.
The power lamps of the pendant control and the surgical table main unit illuminate to turn on the power.



3. Turn on the power switch of the surgical table.
The power lamps of the pendant control and the surgical table main unit go off to turn off the power.

 WARNING	
	<ul style="list-style-type: none">● DO NOT forcibly pull the power cord. Such action could lead to electric shock hazard or fire accident.
	

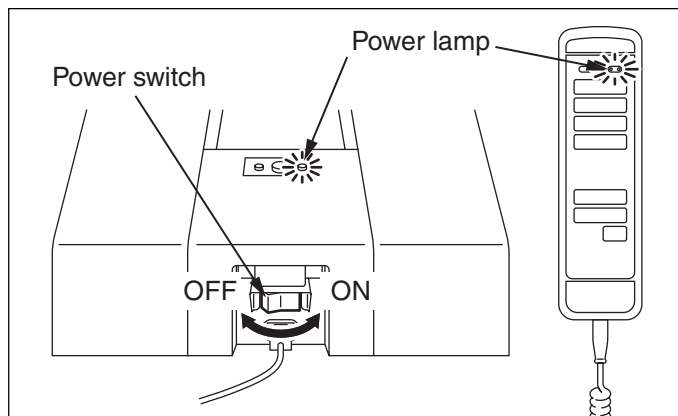
How to Turn On/Off the Battery Power

1. Turn on the power switch of the surgical table.

The power lamps of the pendant control and the surgical table main unit illuminate to turn on the power.

2. Turn on the power switch of the surgical table.

The power lamps of the pendant control and the surgical table main unit go off to turn off the power.

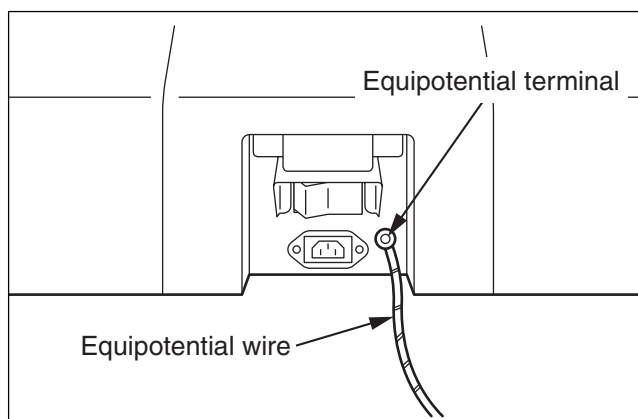


SUPPLEMENT

- To prevent battery depletion, the system is automatically powered off when the switch is left non-depressed for three minutes. Pressing the pendant control or Auxiliary Switch again turns on the power.

Equipotential Grounding

Ground the equipotential terminal and the medical ground terminal with an equipotential wire.

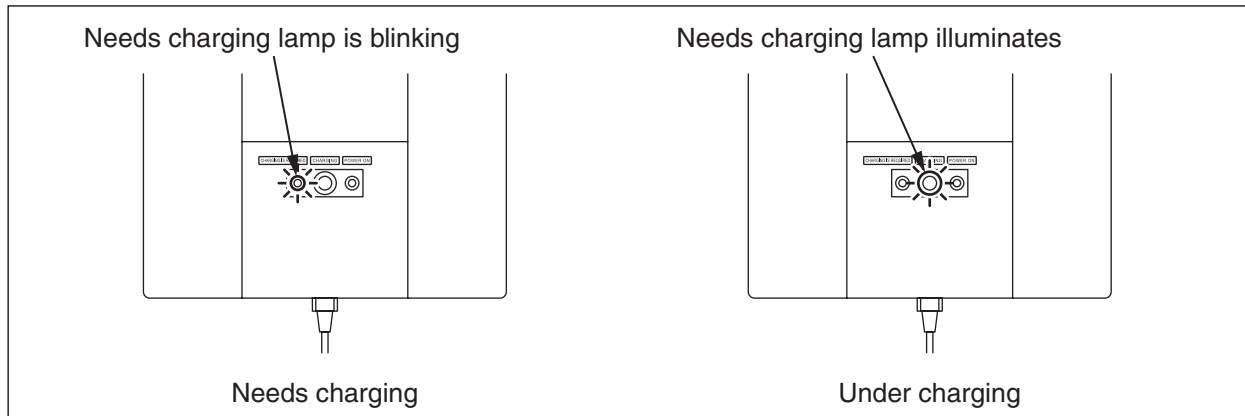


SUPPLEMENT

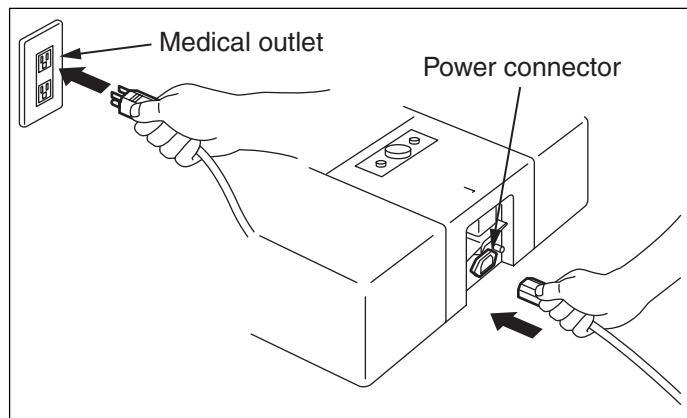
- To perform equipotential grounding, separately provide an equipotential wire.

How to Charge the Battery

When the Needs charging lamp <Orange> on the surgical table main unit is blinking, charge the battery without delay.



1. Insert the power cord to the power connector and the medical outlet.
2. Turn on the power switch of the surgical table. The Under charging lamp <Green> illuminates to start charging.
When the Under charging lamp <Green> on the surgical table main unit goes off, charging is complete.



CAUTION



- Make it a rule to perform charging at least once a day.
- Operation speed is slow while the table is operating from the battery power. If the Needs charging lamp <Orange> on the surgical table main unit is blinking during operation, charge the battery without delay.
- When you use the battery for the first time after the purchase, or if you have left the battery unused for a prolonged period of time, charge the battery. The battery is self-discharged over time even when unused.
- Operation speed is slow after the battery is charged. If the Needs charging lamp <Orange> on the surgical table main unit is blinking during operation and the battery is self-discharged in a short period, the battery is suspected faulty. Ask your dealer or MIZUHO for repairs of the battery.
- The service life of the battery used on the surgical table is about two or three years. When the service life has elapsed, Ask your dealer or MIZUHO for replacement of the battery.

Control Unit

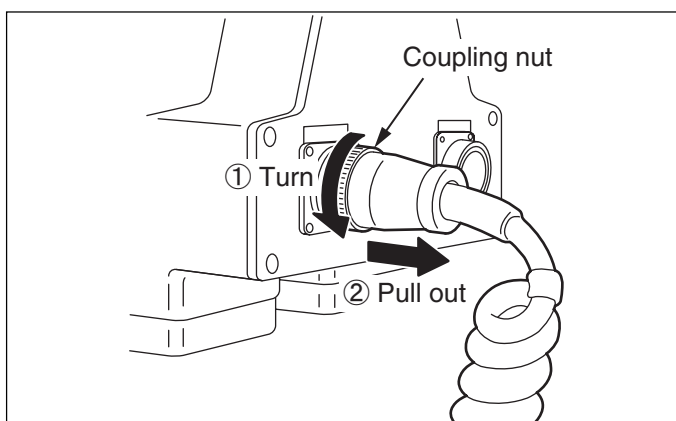
The control unit is used to activate the functions of the surgical table to perform positioning of a patient.

SUPPLEMENT

- Holding down the control unit for three minutes running automatically shuts down the motor to stop operation of the surgical table. Once shut down, the surgical table is nonoperational for about 90 seconds waiting for the motor to cool down.

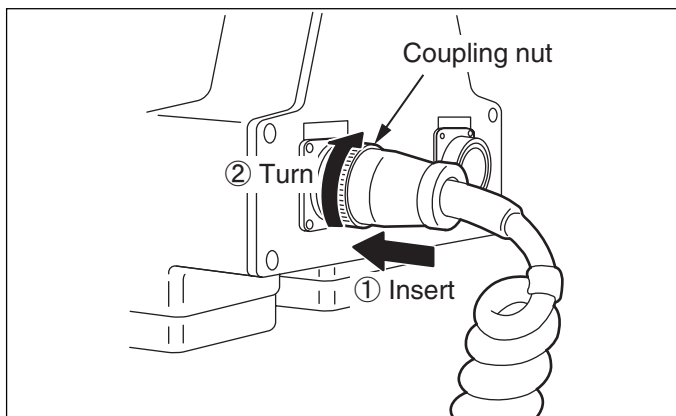
- How to detach the Control Unit and the Foot Control Unit

1. Turn the coupling nut of the connector until it stops in the direction of the arrow.
2. When the nut has stopped, pull out the control unit toward you.




- How to mount the Control Unit and the Foot Control Unit

1. Insert the control unit along the connector guide.
2. Turn tight the coupling nut of the connector.




Surgical Table Fix

Press  at the same time.



The brake operates to fix the surgical table.


Brake Unlock


Press  at the same time.

The brake is unlocked to allow the surgical table to be moved.

High/Low Speed Selection

To select High Speed or Low Speed, press  or  at the same time.

 : Position setting at standard speed (Power Lamp <Orange>: High illuminates)

 : Position setting at minute speed (Power Lamp <Yellow>: Low illuminates)

WARNING




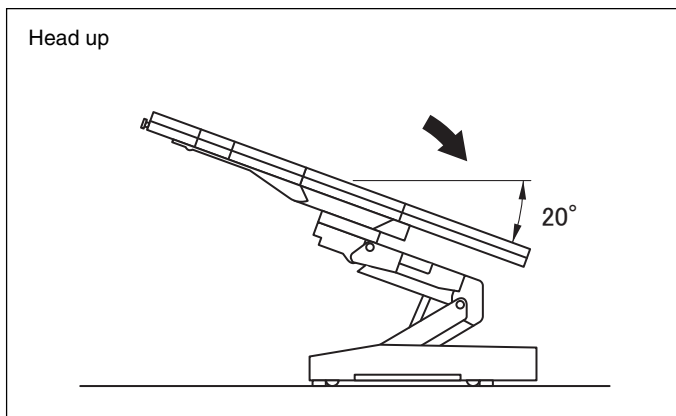
- DO NOT unlock the brake with a patient lying on the table. The patient may fall down to the floor.


SUPPLEMENT

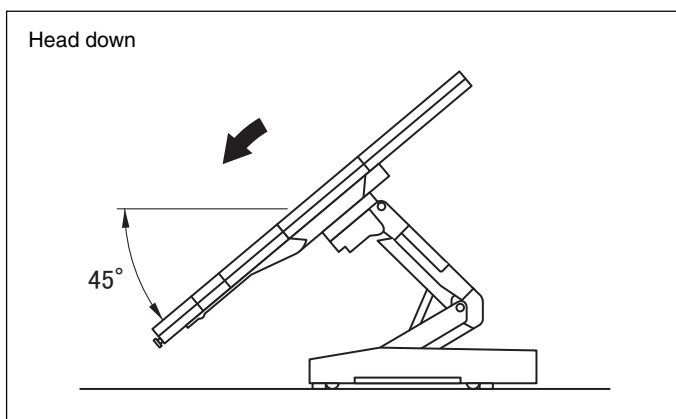
- Releasing the switch on the control unit during operation stops the ongoing operation.

Trendelenburg


Press  at the same time.
 The entire table top is in the Head Up position.
 The maximum angle of Head Up is 20 degrees from the level position.



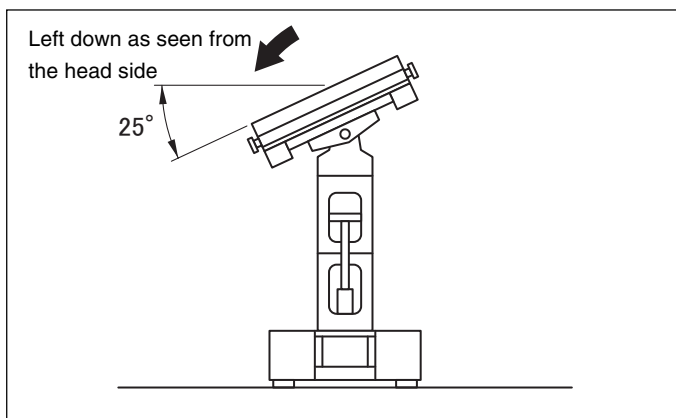
Press  at the same time.
 The entire table top is in the Head Down position.
 The maximum angle of Head Down is 45 degrees from the level position.




Lateral Tilt

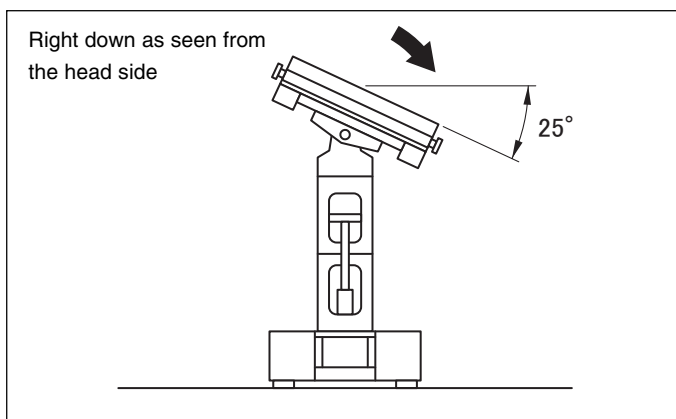
Press  at the same time.
 The entire table top is in the Left Down position as seen from the Head side of the table.
 The maximum angle of Left Down from the level position is as follows:

7201B	25°
-------	-----




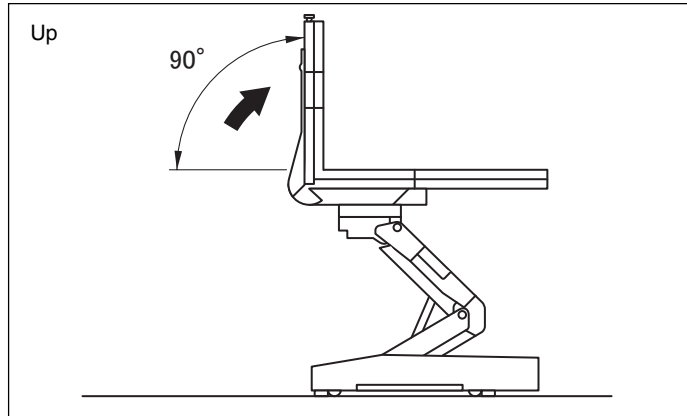
Press  at the same time.
 The entire table top is in the Right Down position as seen from the Head side of the table.
 The maximum angle of Right Down from the level position is as follows:


7201B	25°
-------	-----

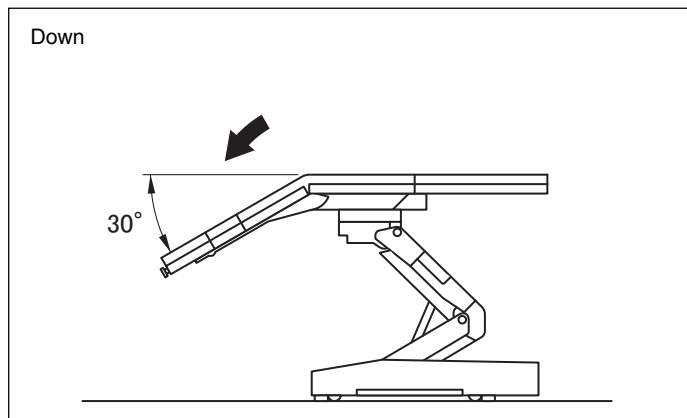


Back Section Reclining


Press  at the same time.
 The head side of the back section rises.
 The maximum angle of Back Section Up is 90 degrees from the level position.



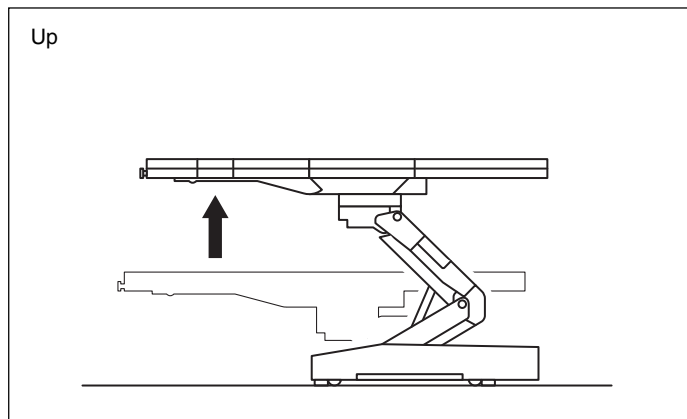
Press  at the same time.
 The head side of the back section lowers.
 The maximum angle of Back Section Down is 30 degrees from the level position.




Elevation

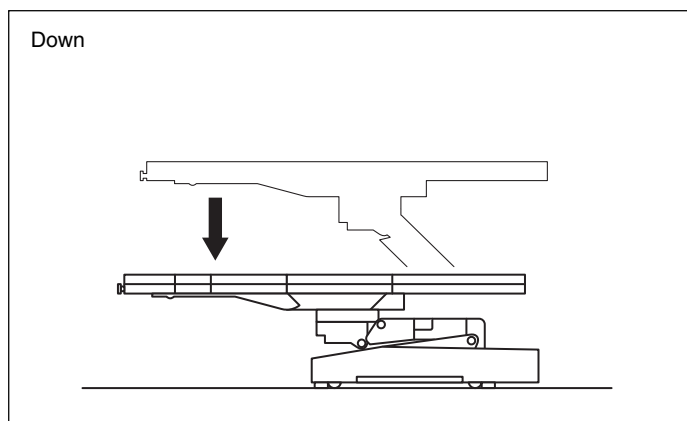
Press  at the same time.
 The entire table top rises.
 The maximum length from the floor surface to the table top upper surface is as follows:

7201B	1030mm
-------	--------




Press  at the same time.
 The entire table top lowers.
 The minimum length from the floor surface to the table top upper surface is as follows:

7201B	410mm
-------	-------



Return to Level

Press  at the same time.

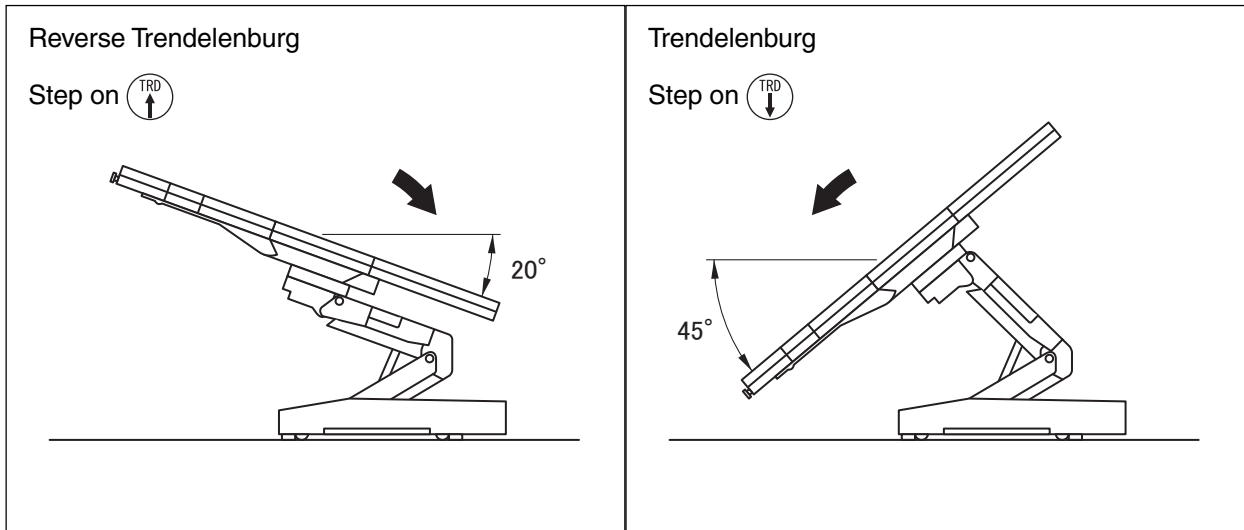
Trendelenburg, Lateral Tilt, Back Section Reclining are activated and the table top returns to the level position.

SUPPLEMENT

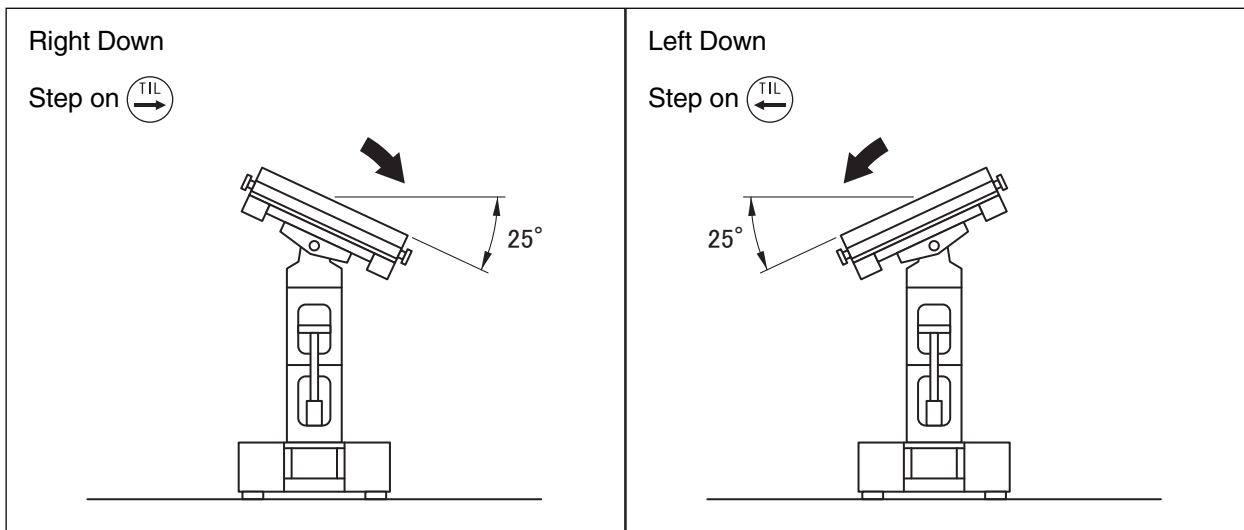
- Elevation, Table Fixing and Brake Unlock are not activated.

Foot Control Unit


Trendelenburg



Lateral Tilt Positioning



Return

Step on 

Trendelenburg and Lateral Tilt Positioning will be actuated to put tabletop back to the centered position.

Restrictions on Operation

There is a case where the control unit switch is inoperative in order to prevent damage to the table top.

State of the specified position	Restrictions on operation	Releasing method
1. Trendelenburg angle maximum (Head down 20°)	1. Descent inhibit: Note 1	1. Trendelenburg head down or return to level (return to level position)
1. Trendelenburg inclination (Head down 30° or more) : Note 2 2. Lateral tilt-Level state	1. Descent inhibit (Halt at a height of 620 mm)	1. Trendelenburg head up or return to level (return to level position)
1. Trendelenburg inclination (Head down 10° or more) 2. Lateral tilt-Level state 3. Elevation height (620 mm or less)	1. Lateral tilt inhibit	1. Return to level (return to level position)
1. Trendelenburg inclination (Head down 10° or more) 2. Lateral tilt inclination (Left or right down 5° or more) 3. Elevation height (620 mm or less)	1. Trendelenburg inhibit 2. Lateral tilt inhibit: Note 3 3. Descent inhibit	1. Return to level (return to level position)
1. Elevation height minimum position	1. Trendelenburg inhibit (Halt at head down 5°)	1. Elevation (Elevate up a height above 620 mm)

Note 1: The maximum angle of Trendelenburg Head Up is 20 degrees at the highest position although it may vary with the height of elevation.

Note 2: State where Head Section is removed


Note 3: Pressing the switch of the opposite side of the inclination direction with Left or Right inclination of 5 degrees or more causes Lateral Tilt to return to level position. This is not available with the switch of the same direction.

Auxiliary Switches



The auxiliary switch is a switch used when the control unit is inactive.

The auxiliary switch operates from a commercial power source or a battery power source.

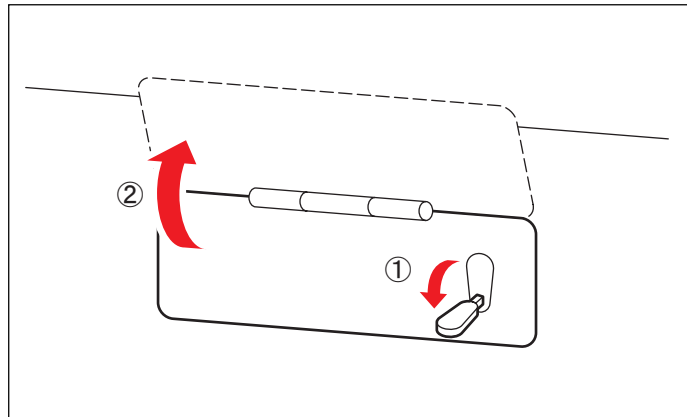
The power switch uses only the pattered power.



CAUTION

	<ul style="list-style-type: none"> ● Perform ordinary operations using the control unit. Unlike the control unit, there are no restrictions on the operation of the auxiliary switch. ● When operating the auxiliary switch, always monitor the movement of the table top. ● Upon collision of or damage to the table top, stop operation without delay to avoid further trouble.
	<ul style="list-style-type: none"> ● DO NOT operate Trendelenburg Head Up by above 5 degrees near the lowest position of Elevation Height. DO NOT lower Elevation Height to the neighborhood of the lowest position while Trendelenburg Head Up is above 5 degrees. Such action may lead to damage.

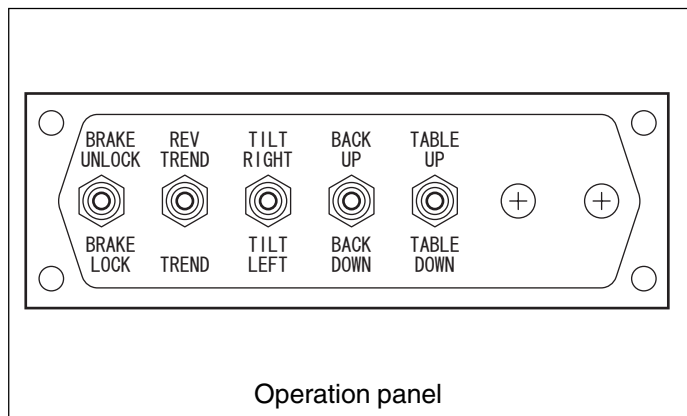
1. Open the lid of the auxiliary switch of the control apparatus cover.



2. Press the switch on the operation panel.

The switch operates until it reaches the maximum performance while held down.

Releasing the switch stops operation.



Head Section/Auxiliary Back Section

The head section moves in increments of 15 degrees and reclines 4 steps up (max. 60 degrees) and 6 steps down (max. 90 degrees).

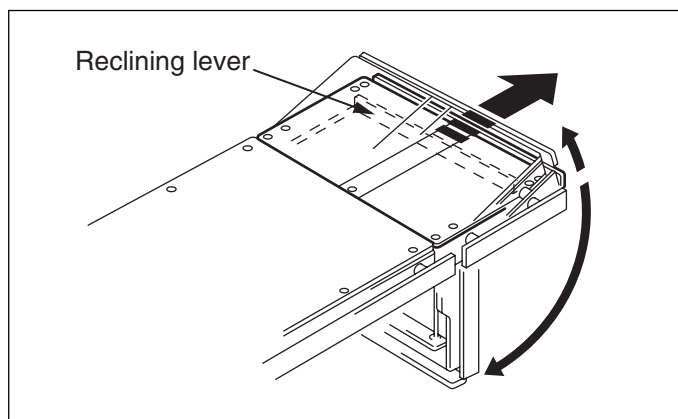
The head section is detachable.

The auxiliary back section may be detached to adjust the length of the back section.

Reclining (Head Section)

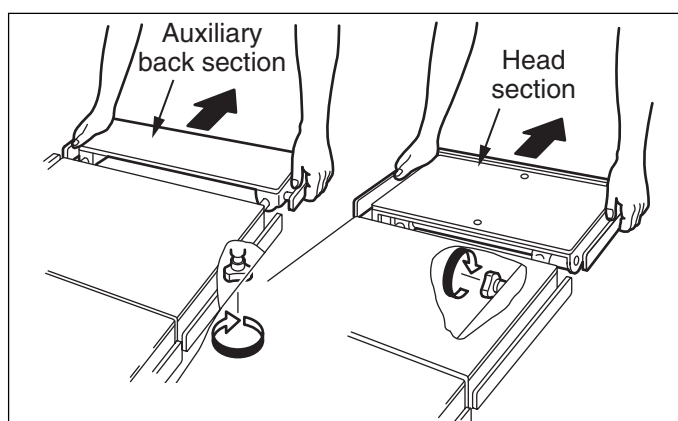
Pull the Head Section Reclining Lever toward the head side.

The Head Section reclines up/down. Releasing the lever secures the Head Section in that position.



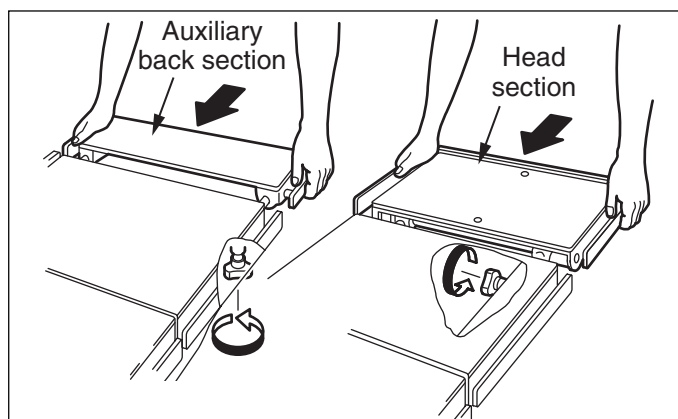
Detaching (Head Section/Auxiliary Back Section)

1. Loosen two fixing handles at the lower area of the back section.
2. Pull out the head section straight.



Mounting (Head Section/Auxiliary Back Section)

1. Insert the insertion shaft into the insertion hole of the back section.
2. Check that the board is fully inside and tighten the left and right fixing handles.



WARNING



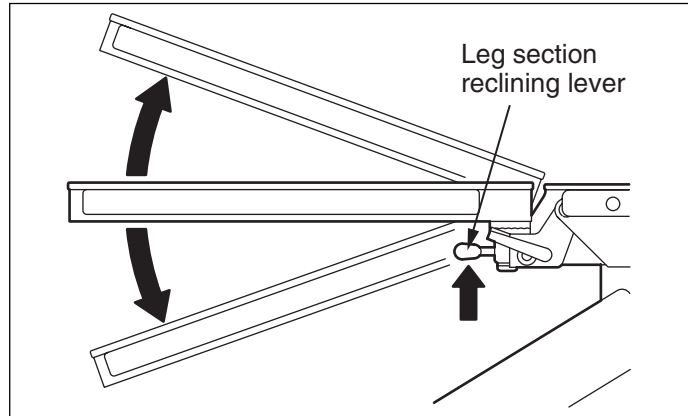
- Tighten the fixing handles. If it is loose, the head section of auxiliary back section will move to cause trouble to the patient.

Leg Section

Left and right leg sections recline by a maximum of 50 degrees upward and a maximum of 45 degrees downward and develops by a maximum of 90 degrees outward. The leg sections are detachable.

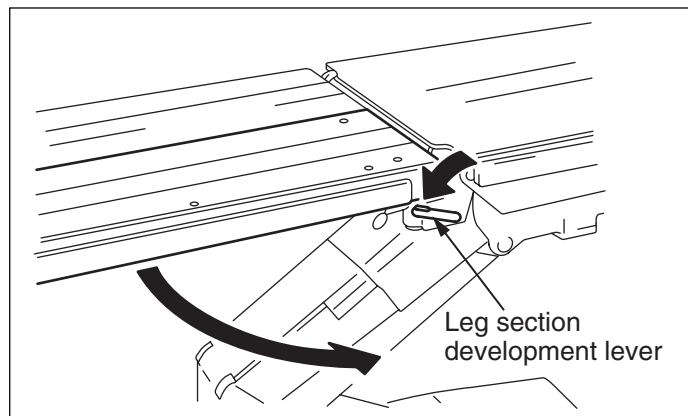
Reclining

1. Hold the end of the leg section while pressing the leg section reclining lever.
2. Pull up the leg section by the end to recline it horizontally or upward.



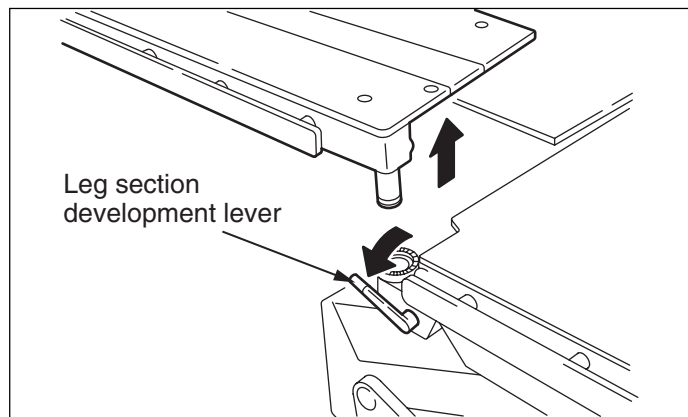
Development

1. Press the leg section development lever.
2. Pull the leg section outward by the end.



Detaching/Mounting

1. Pull up the leg section while pressing the leg section development lever.
2. To return the leg position, press the leg section development lever into the clutch section until it is level with the leg section.







Principles of Operation

Inspection Before/After Use

Check the following items. If there is an error, request MIZUHO for repairs.

 WARNING	
	<ul style="list-style-type: none">● Make it a rule to check inspection items before and after using the surgical table. If there is an error, request MIZUHO for repairs. If this step is omitted, the surgical operation may be affected.

1. Mattress
Whether any mattress is damaged.
2. Table plate
Whether any table plate is damaged.
3. Oil leakage
Whether operation oil is not attached to the floor or surface of the surgical table.
4. Power cord and plug
Whether the lead is exposed or plug is damaged.
5. Power Switch
Whether the power lamp of the control unit illuminates when the power switch is pressed.
6. Control Unit
Whether all functions are normally operable when the switch on the control unit is pressed.
7. Foot Control Unit
Whether all functions are normally operable when the switch on the foot switch is pressed.
8. Battery
Whether the battery is charged.
9. Backlash of table top
Whether the back section rattles when it is held by both ends and shaken in all directions.

Cleaning/Disinfection Procedure

1. Turn off the power and remove the power cord from the medical outlet.
2. Check the indication or instruction manual of the disinfectant to be used.
3. Wipe off with water the dirt of blood, drugs or soil and cleanse the dirt with gauze dipped in the disinfectant.

Usable antiseptic solutions which we have already confirmed are as the following lists.
Use the antiseptic solutions listed as follows.

	Medicine Name
1	Sodium hypochlorite 6% (halogen containing compound) ★
2	Hypo Alcohol (iodine color removing agent)
3	Chlorhexidine (chlorhexidine gluconate 0.5%)
4	Benzalkonium chloride (invert soap 10%)
5	Povidone iodine
6	Ethanol 80%
7	Oxydol (hydrogen peroxide)
8	Normal saline
9	Isopropyl alcohol (IPA) 99.5%

★ Sodium hypochlorite is diluted to 0.1%.

Routine Maintenance

Routine maintenance (once/year) is recommended to maintain the performance of the product.

 **WARNING**



- Inspection and repairs of the surgical table are made by the personnel trained in our company. When inspection or repairs are required, call us. Inspection or repairs by personnel not trained for inspection and repairs will cause injury or fault.

In the routine inspection, the following sections are inspected. Details of inspection items will be reported by the inspecting personnel.

- | | | |
|-----------------------------|-----------------------|-----------------------------|
| 1. Base section | 2. Column section | 3. Table section |
| 1-1. Brakes | 2-1. Elevation drive | 3-1. Trendelenburg drive |
| 1-2. Transportation casters | 2-2. Elevation slider | 3-2. Lateral tilt drive |
| 1-3. Power cord | 2-3. Riser cord | 3-3. Back section drive |
| 1-4. Pendant control unit | 2-4. Riser hose | 3-4. Slide drive |
| 1-5. Foot control unit | | 3-5. Head section |
| 1-6. Electricity controller | | 3-6. Auxiliary back section |
| 1-7. Batteries | | 3-7. Leg section |
| 1-8. Switching valve | | 3-8. Mattress |
| 1-9. Relief valve | | 3-9. Table plate |
| 1-10. Flexible hose | | 3-10. Side rail |
| 1-11. Piping | | |
| 1-12. Oil | | |

Before Requesting Repairs

Non-Fault Cases

The following states may be normal operation instead of a fault.

State	Reason	Ref. page
Power will not turn on	<ol style="list-style-type: none"> 1. Connector of the pendant control is not fully inserted. 2. The motor stops automatically. 3. Battery is discharged. 	<ol style="list-style-type: none"> 1. → P. 19 2. → P. 19 3. → P. 18
The function switch on the pendant control is inoperable.	<ol style="list-style-type: none"> 1. Connector of the pendant control is not fully inserted. 2. Operation restricted position 	<ol style="list-style-type: none"> 1. → P. 19 2. → P. 23
The function switch on the foot switch is inoperable.	<ol style="list-style-type: none"> 1. Connector of the foot switch is not fully inserted. 2. Operation restricted position 	<ol style="list-style-type: none"> 1. → P. 19 2. → P. 23

Action Upon Fault

When the surgical table is faulty, take following action:

1. Turn off the power and remove the power cord from the medical outlet.
2. Put an “OUT OF ORDER” or “DO NOT USE” sign on the surgical table main unit.
3. Ask your dealer or MIZUHO for repairs.
4. Disinfect the surgical table.


WARNING



- To prevent possible infection, disinfect the surgical table and accessories before requesting repairs.



Specifications

Specifications

Sales name		Operating Table MST-7201B	
Catalogue number		18-300-70	
Powered	Elevation range (From floor surface)	Highest	1030 mm
		Lowest	410 mm
	Trendelenburg angle (From level position)	Head up	20°
		Head down	45°
	Lateral tilt angle (From level position)	Right down	25°
		Left down	25°
	Back section reclining angle (From level position)	Up	90°
		Down	30°
	Automatic return to level	Trendelenburg/Lateral tilt/Back section reclining	
	Brakes	Fix/Release	
Operation device	Control unit	Power lamp (High speed/Low speed), Transport, Fix, Trendelenburg, Lateral tilt, Back section reclining, Elevation, High speed selection, Low speed selection, Return to level	
	Foot control unit	Trendelenburg, Lateral tilt, Return to level	
	Auxiliary switches	Transport, Fix, Trendelenburg, Lateral tilt, Back section reclining, Elevation	
Manual	Head section reclining angle	Up	60°
		Down	90°
	Leg section reclining angle	Up	50°
		Down	45°
	Leg section development angle	Left and right each	90°
Removal	Head section/Auxiliary back section/Leg section (Left/Right)		
Electrical rating	Classification by IEC 60601-1	Class 1 Defibrillation Proof (Internal power source equipment: Note 1): Form of protection against electrical shock Type B Equipment - IPX4 Rated	
	Rated voltage	AC115V	
	Frequency	60Hz	
	Power input	800VA	
	Battery power	DC24V	
	Operation voltage	DC5V·24V	
	Duty Cycle	3 min on, 30 min off: Note 2	
Other	Conforms to EMC Standard and IEC 60601-1-2 Recovery time from electric discharge of Cardiac Defibrillator : Less than 1 second.		
Dimensions	Table top dimensions	1895 mm (length) x 500 mm (width): Note 3	
	Base dimensions	1070 mm (length) x 470 mm (width)	
	Weight	685 lbs (310 kg)	
	Maximum permissible load	500 lbs (225 kg): Note 4	
Use/Storage environment	Ambient temperature range	10°C ~ 40°C: Note 5	
	Relative humidity range	30% ~ 75%: Note 5	
	Atmospheric pressure range	700hPa ~ 1060hPa: Note 5	
	Service life	10 years: Note 6	

Note 1: When battery power source is used

Note 2: State where the switch on the control unit is held down

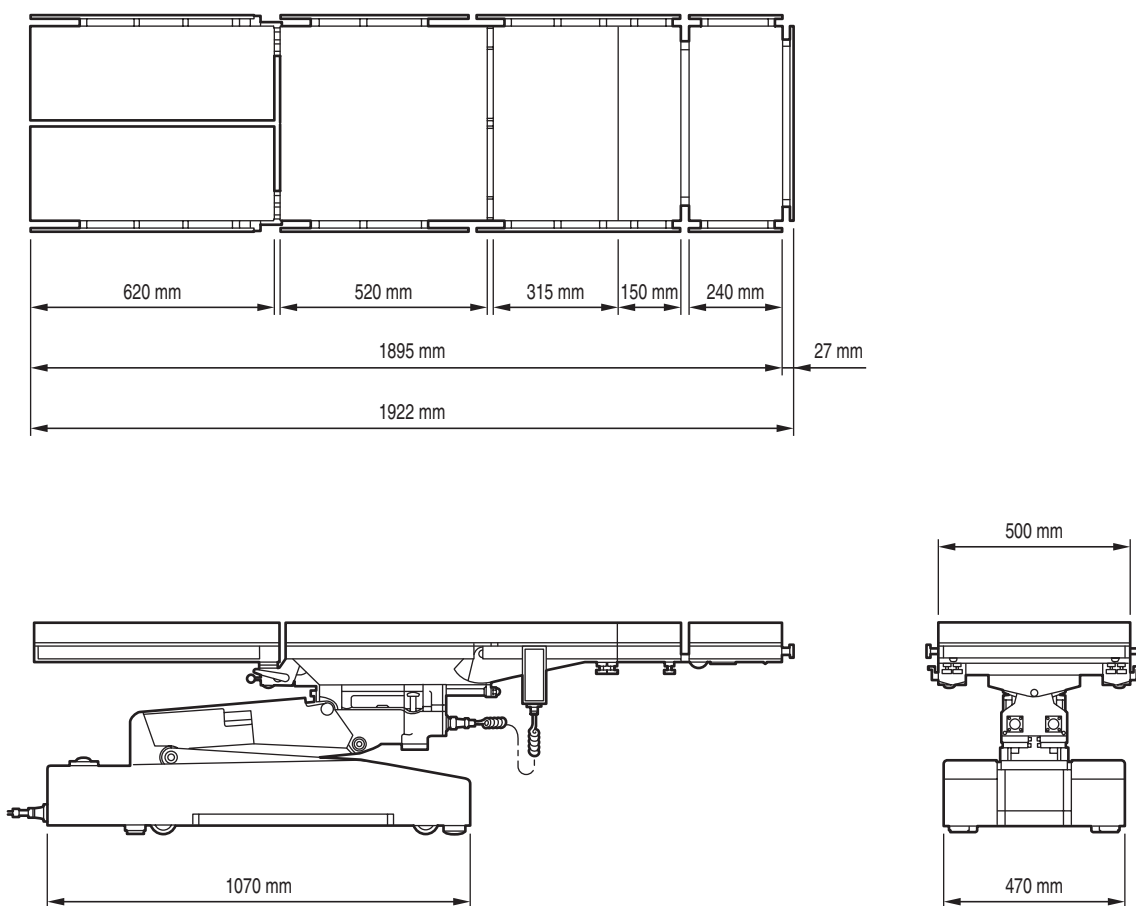
Note 3: Excluding the side rail section

Note 4: High speed

Note 5: IEC60601-1 Medical electrical equipment - General requirements for safety (environmental conditions)

Note 6: In case recommended maintenance/inspection is made [via self authentication (data of our company)]

Drawing





Sale Agent

Mizuho America, Inc.
30057 Ahern Avenue, Union City, CA 94587

Manufacturer:

 MIZUHO Corporation
3-30-13 Hongo, Bunkyo-ku
Tokyo 113-0033, Japan